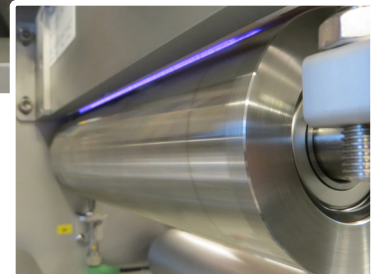
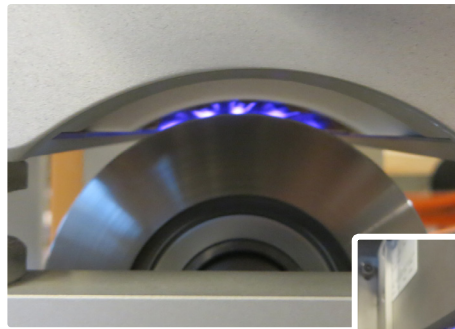


Product Information

LabelTEC | Corona Treatment of Narrow Web



LabelTEC | Corona Treatment of Narrow Web

The purpose of surface treatment of polymer-based materials is to increase surface wettability through electrical discharge. The low surface energy of polymerbased substrates often leads to poor adhesion of inks, glues and coatings. To obtain optimum adhesion, it is necessary to increase the surface energy of the substrate to just above that of the material to be applied. Surface treatment with Corona results in improved surface adhesion properties.

LabelTEC is designed for the pretreatment of conductive and nonconductive narrow webs.

This type of system will treat either one or both sides of the web and will accommodate widths from 100-500 mm, running at production speeds of up to 150 m/min.

All materials used are resistant to corrosion and easy to maintain.

LabelTEC conforms with CE regulations.

Option: Opening electrode hood.



Features

Compact design & construction

Easily fitted to new or existing production lines

Ceramic electrode elements for uniform surface treatment

Good accessibility for initial film thread-up

"Easy-Fit" interchangeable electrode system

Available for single (CS) and double sided (CD) treatment

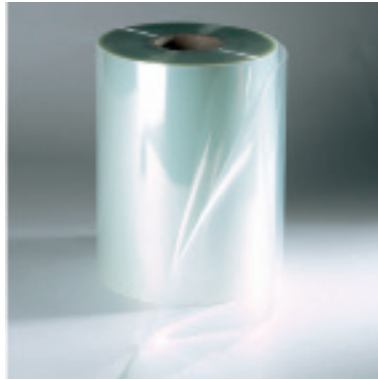
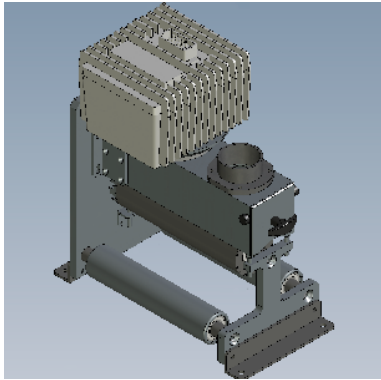
Idler rollers included

Stainless steel backing roller



TechnicalData

LabelTEC | Corona Treatment of Narrow Web



Technical Specifications	
Power supply	100-250VAC – 50/60Hz
Output power	Choose from 200W / 1000W / 2000W
Output frequency	Up to 30 kHz
Mains cable	Supplied with connector
Control interface	Connector supplied
Operator display	HMI Remote
Control modes	Operator selectable from: Constant power / Constant voltage / Watt density control (Watt/m ² /min)
Alarms	Operator selectable from: Voltage alarm / Power alarm
Control inputs	Operator selectable from: Power setting / Voltage setting / Watt density
Treatment width, mm	From 100 - 500 mm
Side for treatment	1 or 2 sides
Speeds	Up to 150 m/min.
Electrodes	Ceramic

International . Tantec A/S Denmark. T: +45 7558 5822 . sales@tantec.com

USA .Tantec EST Inc. T: +1 630 351 1320. USA@tantec.com

Germany South . Tantec Deutschland GmbH (Stuttgart) . T: +49 7044 950012 . wimsheim@tantec.com

Germany North . Tantec Deutschland GmbH (Hamburg) . T: +49 4033 310741. hamburg@tantec.com

www.tantec.com